



FIB beer systems

A better way to serve beer

an **ANDUS** group company

Available models

- Starting from 125 liters in both single shell and insulated version, all sizes available on your request
- Vertical insulated tanks in 250 and 500 liters

Certificates/Standards

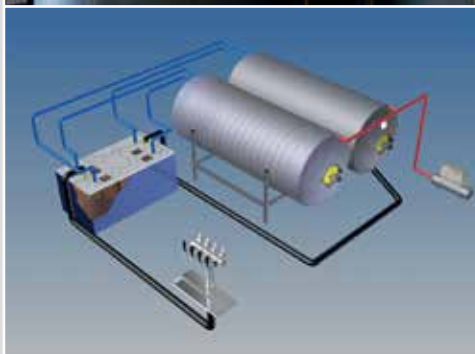
- ISO 9001
- VCA
- PED D, H, H1
- ASME U, U2 & R
- SQL
- EN3834-2
- F-gassen

Design codes

- EN-13445
- ASME SEC. VIII Div. 1,2
- CODAP
- AD2000
- PD-5500

Advantages

- Longer shelf life
- No keg handling
- No CO₂ needed
- The freshest beer possible



The FIB tank beer all-in concept

A tank beer installation, is a set up of at least two tanks with liners inside (bag-in-tank system), a cooler, a compressor and taps. The brewery or brewhouse delivers/ transports the fresh produced cold beer to the tank beer installation. Once the tanks are filled up, you can tap your cold fresh beer instantly, without additional CO₂. Its the freshest beer possible, straight from the brewhouse.

INSULATED TANK DIMENSIONS						
Set up	Contents liters	Ø tank in mm	Width (W) in mm	Height (H) in mm	Length (L) in mm	Tank Weight (kg)
A	2x125	730	824	993	1346	120
	250	730	824	993	1163	94
	500	730	824	993	2028	166
	500	860	954	1123	1419	132
	1000	860	954	1123	2408	226
B	250	730	824	1795	1163	94
	500	730	824	1795	2028	166
	500	860	954	2055	1419	132
C	250	730	1608	1620	1163	94
	500	730	1608	1620	2028	166
	500	860	1868	1862	1419	132
D	250	730	824	2597	1163	94
	500	730	824	2597	2028	166
	500	860	954	2987	1419	132
	1000	860	954	2987	2408	226

SINGLE WALL TANK DIMENSIONS						
Set up	Contents liters	Ø tank in mm	Width (W) in mm	Height (H) in mm	Length (L) in mm	Tank Weight (kg)
A	250	650	744	913	1109	49
	500	650	744	913	1974	76
	500	790	884	1053	1362	66
	1000	790	884	1053	2321	107
B	250	650	744	1635	1109	49
	500	650	744	1635	1974	76
	500	790	884	1915	1362	66
C	250	650	1448	1471	1109	49
	500	650	1448	1471	1974	76
	500	790	1728	1731	1362	66
D	250	650	744	2336	1109	49
	500	650	744	2336	1974	76
	500	790	884	2777	1362	66
	1000	790	884	2777	2321	107

INSULATED VERTICAL TANK DIMENSIONS					
Contents liters	Ø tank in mm	Width (W) in mm	Height (H) in mm	Length (L) in mm	Tank Weight (kg)
250	730	730	1606	860	96
500	730	730	2541	860	168

Technical specifications

Material: Stainless steel, AISI 304 (DIN 1.4301)
 Insulation: 40 mm polyurethane foam
 Connection: 2x cooling, 1x air

